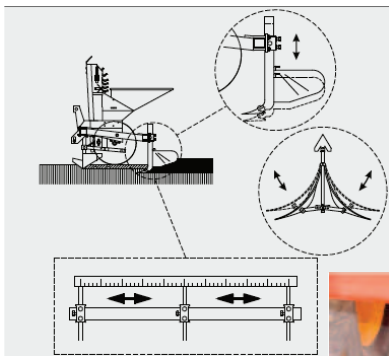


# POTATO PLANTER

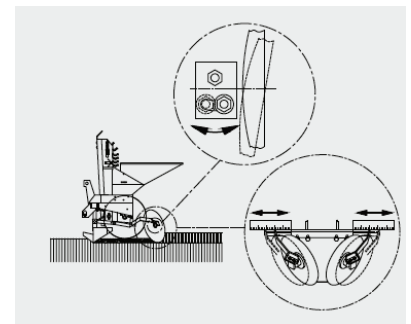


## FEATURES

The Potato Planter is produced with hydraulic lifting and universal three point linkage system. Sowing row space can be adjusted to show 12 different positions by changing the transmission gears. Also this machine has a special belt with bucket that enables it to sow singly. The spaces between rows are either stable or can be adjusted.



Seed closer with ridging body is equipped with two ridging bodies and channel openers, which engage to each sowing unit which is lined up on a single chassis.



Seed closer with disc is equipped with discs, and canal openers are engaged to each sowing unit which is lined up on a single chassis.



# SPECIFICATIONS

Model	APP2	APP4
Total width	2030 mm	3400 mm
Total length	1630 mm	1690mm
Total height	1650 mm	1650 mm
Working depth	160-170 mm	160-170 mm
Space between rows	620-850 mm	620-850 mm
Working width	1240-1700 mm	24800-3400 mm
Working speed	4-5 km/h	4-5 km/h
Distance between seed	150-450	150-450
Fertilizer hopper	OPS	OPS
Seed hopper capacity	450 kg	900 kg
Tyre size	6.00 x 16	10.0 x 32
Tractor power	45-70 hp	80-85 hp
Weight with shaping board	645 kg	1205 kg
Weight with ridging body	523 kg	1000 kg

**agromaster®**  
we know the soil...

