

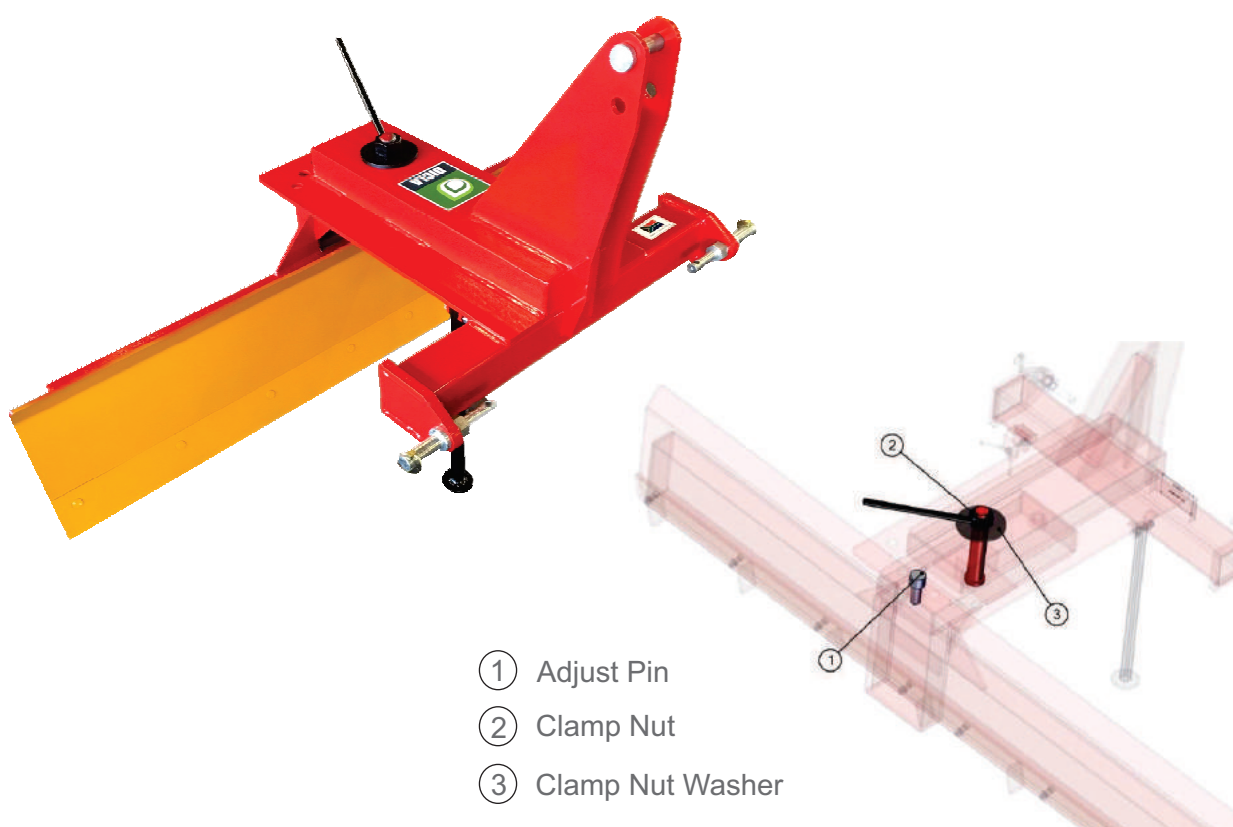
DICLA SCRAPER



FEATURES

Weighted blade box for extra ground penetration. Multi-angle blade adjustable to all scraping conditions. Robust and hard wearing replaceable cutting edge Category I and II hitch pins to fit all small and medium sized tractors. Integrates into tractor's 3-point hitch for all adjustments of the blade height, tilt and angle of scraping.

The capability to adjust the angle of the Scraper is provided by two main areas. The first is the adjust pin at the back of the machine which provide increments of 15 degrees for forward as well as backwards operation. The second is the pin which the top section swivels around. This contains the clamp nut. This nut must always be tightened and checked when set to a certain angle.



Model	DG 1800	DG 2100	DG 2500
Blade width (mm)	1800	2100	2500
Blade angle (degrees)	90/75/60/45	90/75/60/45	90/75/60/45
Width (mm)	1800	2100	2500
Length (mm)	970	970	970
Height (mm)	1060	1060	1060
Weight (kg)	240	255	275
Hitch category	I/II	I/II	I/II
Tractor Power	25-35hp/19-26kw	35-45hp/26-34kw	45-70hp/34-52kw